

# PRECISION PRESSURE TRANSDUCER

Highly Accurate Over a Wide Temperature Range

Honeywell's Precision Pressure Transducer (PPT) offers extraordinary value with high accuracy over a wide temperature range. The PPT combines proven silicon sensor technology with microprocessor-based signal conditioning to provide an extremely smart pressure transducer. Available in a compact, rugged design, the PPT has many software features that support a wide range of applications.

## FEATURES & BENEFITS

### HIGHLY ACCURATE

- Accuracy is guaranteed over the whole operating temperature range
- Simplifies System Design  
No additional signal compensation needed to gain the benefits of a very accurate sensor

### SMART, DIGITAL SENSING AND CONTROL

- Efficient Data Acquisition  
Network up to 89 units

### VERSATILE AND CONFIGURABLE

- Works with existing and new systems  
0-5V analog and either RS-232 or RS-485 digital output

- Optimizes Output  
User-configurable pressure units, sampling, update rate

- Flags Problems  
Internal diagnostics set flags, indicates errors

### USER-SELECTABLE SOFTWARE FEATURES

- Baud Rate, Parity Setting, Continuous Broadcast, ASCII or Binary Output, Sensor Temperature Output (°C or °F), Deadband, Sensitivity, Tare Value, Configurable Analog Output

ISO-9001, ISO-14001

## APPLICATIONS

- Secondary Air Data
- Altimeters
- Engine Testing
- Flight Testing
- Meteorology
- Flow and Pressure Calibrators
- Instrumentation and Analytical Equipment
- Process Control
- Research and Development



**Honeywell**

## SPECIFICATIONS

### PERFORMANCE

Total Error Band <sup>(1)</sup>	See Ordering Information
Temperature Range	Operating: -40 to 85°C; Storage: -55 to 90°C
Sample Rate <sup>(3)</sup>	8.33 ms to 51.2 min; minimum response delay 17 ms
Resolution	Digital: Up to 0.001% FS, Analog: 1.22 mV steps (12 bits)
Long Term Stability	0.025% FS per year typical

### MECHANICAL

Pressure Units <sup>(3)</sup>	atm, bar, cmwc, ftwc, hPa, inHg, inwc, kg/cm <sup>2</sup> , KPa, mBar, mmHg, MPa, mwc, psi, user fcom, pfs
Media Compatibility	Suitable for non-condensing, non-corrosive, and non-combustible gases
Weight	Approx. 5 oz. (142 gm) without fittings

### ELECTRICAL

Output <sup>(3) (4)</sup>	RS-232 Digital with 0-5V Analog, RS-485 Digital with 0-5V Analog
Power Requirements	Supply Voltage: 5.5 to 30 VDC, Operating Current: 35 mA maximum
Baud Rate <sup>(3)</sup>	User configurable between 1200 and 28800 bits/sec
Bus Addressing <sup>(3)</sup>	Address up to 89 units
Connector	Plastic: Mini-Con-X(R) Harsh Environment 6-pin circular connector Metal: MIL-C-26482, Shell Size #10, 6-pin, #20 size

### ENVIRONMENTAL

Mechanical Shock	1500G, 0.5 ms half sine; per MIL-STD-883D, M2002.3, Cond. B
Thermal Shock	24 1-hr cycles, -40 to 85°C
Vibration	0.5 in or 20G, 20-2000 Hz; per MIL-STD-883D, M2007.2, Cond. A
Overpressure <sup>(2)</sup>	3X FS
Burst Pressure <sup>(2)</sup>	3X FS
EMC Directive	Compliant, Metal Connector Model Only
RoHS	Non-Compliant

<sup>(1)</sup> Total Error is the sum of worst case linearity, repeatability, hysteresis, thermal effects and calibration errors over the operating temperature range. Full scale for differential ranges is the sum of + and - ranges. Calibration is traceable to NIST.

<sup>(2)</sup> Exposure to overpressure will not permanently affect calibration or accuracy of unit. Burst pressure is the sum of the measured pressure plus the static pressure and exceeding it may result in media escape.

<sup>(3)</sup> User configurable.

<sup>(4)</sup> Recommended load impedance of 100 k-ohm or greater.

# ORDERING INFORMATION

## PPT PRECISION PRESSURE TRANSDUCER

### FULL SCALE PRESSURE RANGE

	Absolute	Gauge	Differential	Digital Total Error Band <sup>(1) (2)</sup>	Analog Total Error Band <sup>(1) (2)</sup>
0001	N/A	1 PSI	N/A	±(0.20%FS + 0.04% Abs. Reading)	±(0.24%FS + 0.04% Abs. Reading)
0001	N/A	N/A	±1 PSI	±(0.10%FS + 0.04% Abs. Reading)	±(0.12%FS + 0.04% Abs. Reading)
0002	N/A	2 PSI	±2 PSI	±(0.10%FS + 0.04% Abs. Reading)	±(0.12%FS + 0.04% Abs. Reading)
0005	N/A	5 PSI	±5 PSI	±(0.10%FS + 0.04% Abs. Reading)	±(0.12%FS + 0.04% Abs. Reading)
0010	N/A	10 PSI	±10 PSI	±0.10%FS Max.	±0.12%FS Max.
0015	15 PSI	N/A	N/A	±0.10%FS Max.	±0.12%FS Max.
0020	20 PSI	20 PSI	N/A	±0.10%FS Max.	±0.12%FS Max.
0050	50 PSI	N/A	N/A	±0.10%FS Max.	±0.12%FS Max.

TYPE	P1 PRESSURE	P2 PRESSURE
A	Absolute	0 (vacuum) to FS
G	Gauge	Reference to FS
D	Differential	+FS to -FS rel. to P2

### P1 PRESSURE CONNECTION (ABSOLUTE, GAUGE, DIFFERENTIAL)

F	Filter (blocks debris)
G	Stainless Swagelok (1/8 inch female)
K	Stainless Swagelok-compatible (1/8 inch male)
R	Brass barbed, right angle (1/8 inch ID tubing)
W	Brass barbed (1/8 inch ID tubing)
X	Brass Swagelok (1/8 inch female)

### P2 PRESSURE CONNECTION (GAUGE, DIFFERENTIAL)

F	Filter (blocks debris)
G	Stainless Swagelok (1/8 inch female)
K	Stainless Swagelok-compatible (1/8 inch male)
R	Brass barbed, right angle (1/8 inch ID tubing)
W	Brass barbed (1/8 inch ID tubing)
X	Brass Swagelok (1/8 inch female)
N	Not Applicable (Absolute)

### OUTPUTS

2V	RS-232 digital, 0-5V analog
5V	RS-485 digital, 0-5V analog

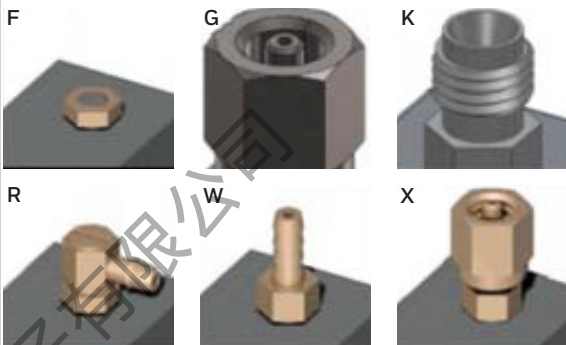
### ELECTRICAL CONNECTION

A	Plastic 6-pin connector
B	Metal 6-pin connector

### - OPTIONS

A	Demonstration Kit (RS-232 Only) <sup>(2)</sup>
B	Standard Plastic Mating Connector <sup>(3)</sup>
C	Power Supply/Data Cable (RS-232 Only) <sup>(4)</sup>
E	Certificate of Conformance
F	Calibration Certificate

### PRESSURE CONNECTION



PPT 0020 A W N 2V A -EF

<sup>(1)</sup> Tighter accuracy available on some models. Consult factory.

<sup>(2)</sup> Demonstration kit includes unit, power supply/data cable (120V), demonstration software, and user manual.

<sup>(3)</sup> Metal Mating Connectors can be purchased from many electronics distributors, generic P/N is MS3116F10-6S for MIL-DTL-26482H compliant parts (not RoHS-compliant); RoHS-compliant versions are also available.

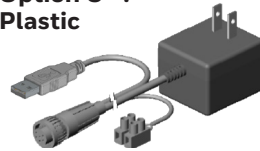
<sup>(4)</sup> RoHS-compliant.

## OPTIONS

### Option B



### Option C<sup>(1)</sup>: Plastic

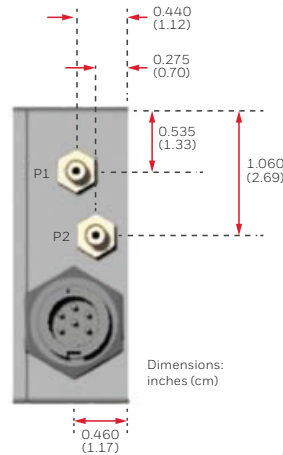
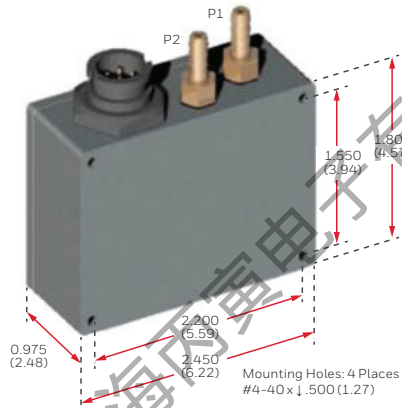


### Option C<sup>(1)</sup>: Metal

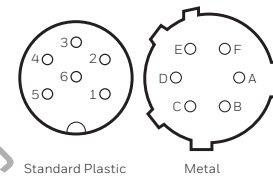


<sup>(1)</sup> RoHS-compliant

## PPT DIMENSIONS



STD	METAL	SIGNAL NAME
1	A	RS-232(TD)/RS-485 (B)
2	B	RS-232(RD)/RS-485 (A)
3	C	Case Ground
4	D	Common Ground (GD)
5	E	DC Power In
6	F	Analog Output



### ESD (electrostatic discharge) sensitive device

Damage may occur when subjected to high energy ESD. Proper ESD precautions should be taken to avoid performance degradation or loss of functionality.

### EOS (electrical overstress) sensitive device

Damage may occur when subjected to EOS. Do not exceed specified ratings to avoid performance degradation or loss of functionality.

Honeywell reserves the right to make changes to improve reliability, function or design. Honeywell does not assume any liability arising out of the application or use of any product or circuit described herein; neither does it convey any license under its patent rights nor the rights of others.

### For more information

[aerospace.honeywell.com/en/learn/products/sensors/precision-pressure](https://aerospace.honeywell.com/en/learn/products/sensors/precision-pressure)

### Honeywell Aerospace

1944 East Sky Harbor Circle  
 Phoenix, AZ 85034  
[aerospace.honeywell.com](https://aerospace.honeywell.com)

ADS-14179  
 N61-2080-000-000 | 02/20  
 © 2020 Honeywell International Inc.

THE  
 FUTURE  
 IS  
 WHAT  
 WE  
 MAKE IT

**Honeywell**